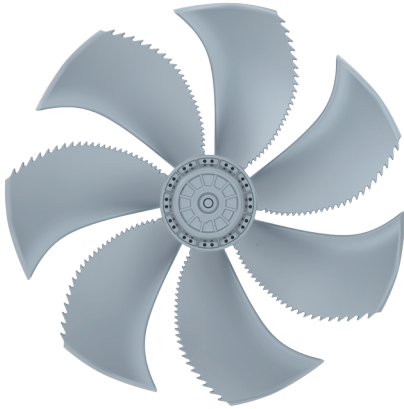


FE2owlet

for single phase alternating current, 6 pole

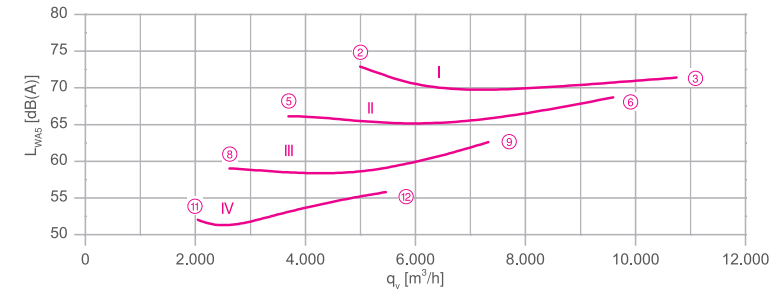
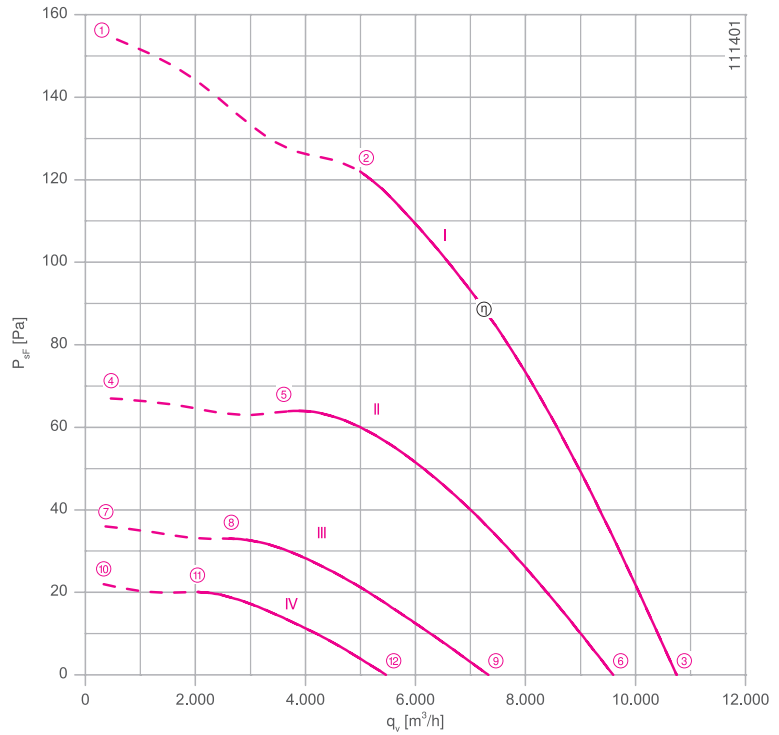
FN063-6E



Description

Motor technology: AC
 Rated voltage U: 1~ 230 V±10 %*
 Rated frequency f: 50 Hz* (60Hz data available)
 Motor input power P₁: 0.66 kW*
 Rated current I: 3.00 A*
 Rated speed n: 860 min⁻¹*
 Starting current I_s: 5.50 A
 Current increase ΔI: 0 %
 Service capacitor C_{400V}: 12.0 μF
 Thermal class: **THCL155***
 Min. permitted conveyor temperature t_{R(min)}: -25 °C
 Max. permitted conveyor temperature t_{R(max)}: 70 °C
 Electrical connection: Terminal box
 Number of blades: 7
 Protection class: IP54
 Motor protection: thermal contact
 Blades: aluminium, uncoated
 Rotor: Aluminium, uncoated
 Conformity: ErP 2015, CE
ErP-data
 Efficiency η_{statA}: 32.2 %
 Efficiency: N_{actual} = 40.0 / N_{target} = 40**
 * Rated data
 **ErP 2015

Characteristic curve



Measured in full bell mouth without guard grille in installation type A according to ISO 5801.

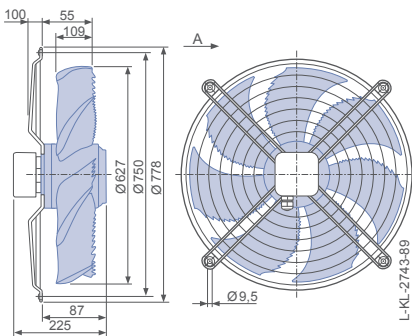
- Connection diagrams
 - for airflow direction V 1360-104XB
 - for airflow direction A 1360-104XA

- System components

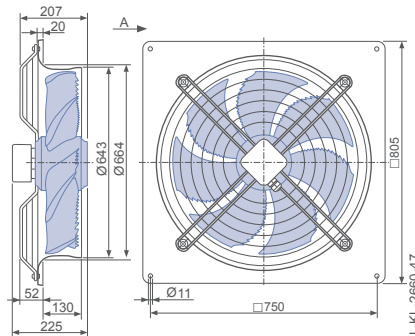
Dimensions [mm]

Airflow direction A

Design W - axial bolted, mounting for short bell mouth E

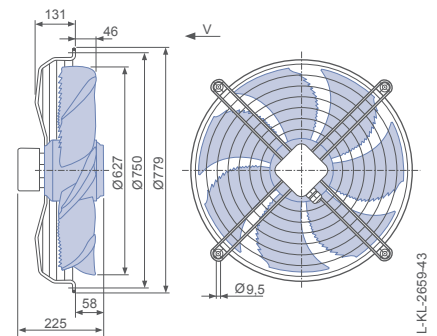


Design Q - square, full bell mouth



Airflow direction V

Design K - axial bolted, mounted for short bell mouth E









Performance data

| Type designation | Characteristic curve | Voltage | Operating point | Current | Motor input power | Speed | Suction side sound power level L_{WAS} [dB] |
|------------------|----------------------|---------|-----------------|---------|-------------------|------------------------|--|
| | | U [V] | | I [A] | P_1 [W] | n [min ⁻¹] | |
| FN063-6E_4I_7P1 | I | 230 | ① | 3.70 | 780 | 770 | 73 |
| | | 230* | ② | 2.90* | 640* | 870* | |
| | | 230 | ③ | 2.20 | 480 | 930 | |
| | II | 170 | ④ | 3.20 | 480 | 510 | 66 |
| | | 170 | ⑤ | 3.00 | 460 | 630 | |
| | | 170 | ⑥ | 2.30 | 370 | 840 | |
| | III | 135 | ⑦ | 2.60 | 300 | 370 | 59 |
| | | 135 | ⑧ | 2.50 | 300 | 460 | |
| | | 135 | ⑨ | 2.30 | 280 | 640 | |
| | IV | 110 | ⑩ | 2.10 | 200 | 290 | 52 |
| | | 110 | ⑪ | 2.10 | 200 | 350 | |
| | | 110 | ⑫ | 2.00 | 190 | 480 | |

*rated data

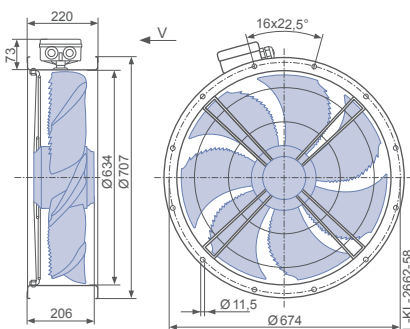
Fan ordering information

| Design | W | Q | K | F (without contact protection) | F (with contact protection) | Q |
|---|---|---|---|---|---|--------------------------|
|  |  |  |  |  |  | |
| Type | FN063-6EW.4I.A7P1 | FN063-6EQ.4I.A7P1 | FN063-6EK.4I.V7P1 | FN063-6EF.4I.V7P1 | FN063-6EF.4I.V7P1 | FN063-6EQ.4I.V7P1 |
| Article no. | 167969 | 167968 | 167972 | 167973 | 167974 | 167971 |
| Weight [kg] | 14.30 | 24.50 | 15.40 | 19.90 | 20.80 | 23.90 |

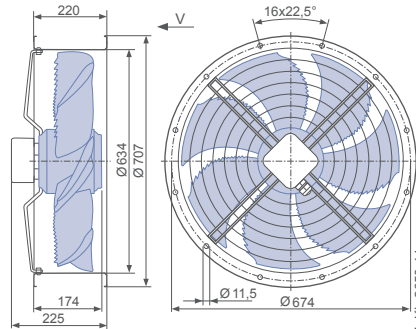
Control technology



Design F - flange ring with two flanges without guard grille



Design F - flange ring with two flanges and guard grille



Design Q - square, full bell mouth

