





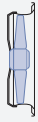


## Performance data

Type designation	Characteristic curve	Voltage	Operating point	Current	Motor input power	Speed	Suction side sound power level $L_{WAS}$ [dB]
		U [V]		I [A]	$P_1$ [W]	n [min <sup>-1</sup> ]	
FN056-6E_4I_7P2	I	230	①	2.40	500	850	73
		230*	②	1.80*	390*	910*	
		230	③	1.40	290	950	
	II	170	④	2.50	370	590	70
		170	⑤	2.00	320	770	
		170	⑥	1.40	230	900	
	III	135	⑦	2.10	250	430	62
		135	⑧	2.00	240	570	
		135	⑨	1.60	200	780	
	IV	110	⑩	1.75	160	320	54
		110	⑪	1.70	160	420	
		110	⑫	1.60	160	580	

\*rated data

## Fan ordering information

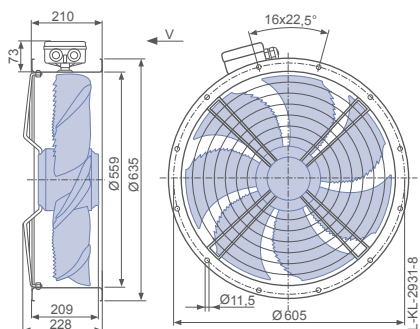
Airflow direction A			Airflow direction V		
Design	W	Q	K	F (with contact protection)	Q
					
Type	FN056-6EW.4I.A7P2	FN056-6EQ.4I.A7P2	FN056-6EK.4I.V7P2	FN056-6EF.4I.V7P2	FN056-6EQ.4I.V7P2
Article no.	167570	167571	167573	167576	167574
Weight [kg]	14.10	22.20	13.30	19.30	21.00

## Control technology

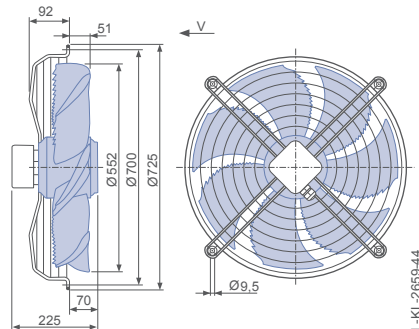


## Airflow direction V

Design F - flange ring with two flanges and guard grille



Design K - axial bolted, mounted for short bell mouth E



Design Q - square, full bell mouth

