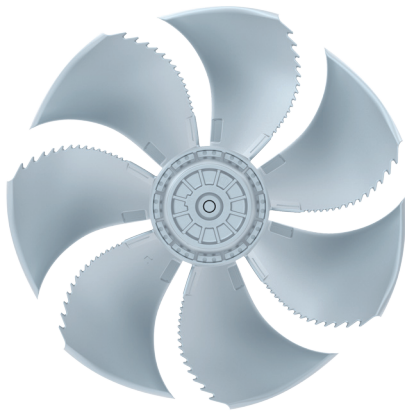


FE2owlet

for single phase alternating current, 4 pole

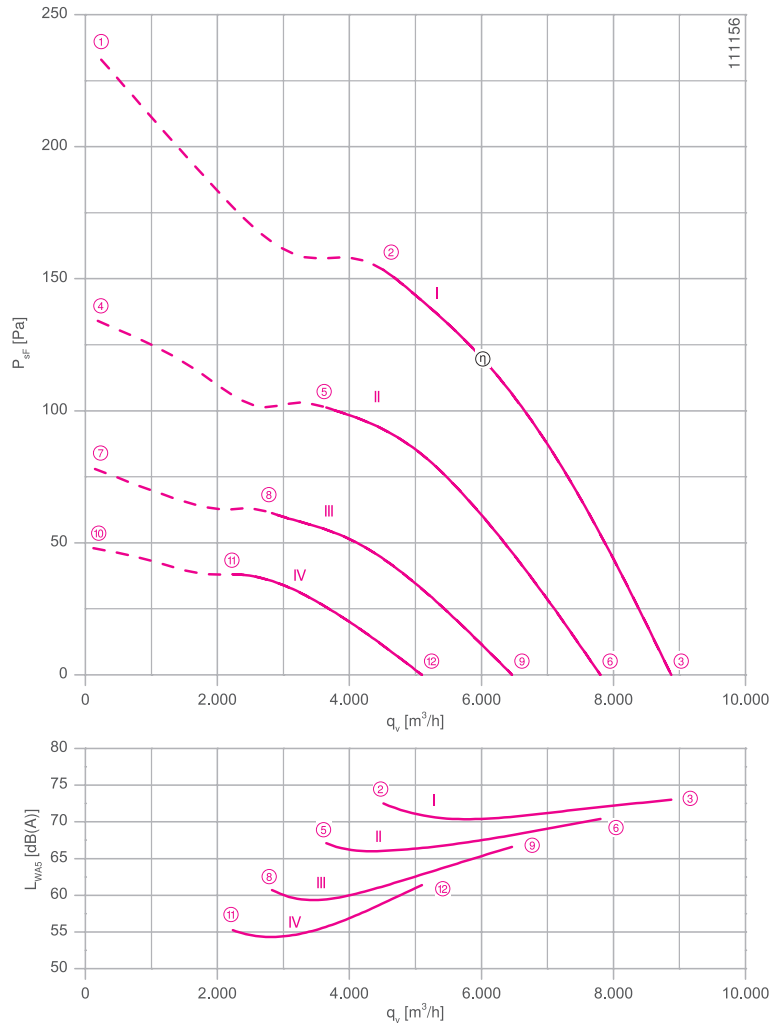
FN050-4E



Description

Motor technology: AC
 Rated voltage U: 1~ 230 V±10 %*
 Rated frequency f: 50 Hz* (60Hz data available)
 Motor input power P₁: 0.72 kW*
 Rated current I: 3.20 A*
 Rated speed n: 1240 min⁻¹*
 Starting current I_s: 6.50 A
 Current increase ΔI: 0 %
 Service capacitor C_{400V}: 16.0 μF
 Thermal class: **THCL155***
 Min. permitted conveyor temperature t_{R(min)}: -25 °C
 Max. permitted conveyor temperature t_{R(max)}: 70 °C
 Electrical connection: Terminal box
 Number of blades: 7
 Protection class: IP54
 Motor protection: thermal contact
 Blades: aluminium, uncoated
 Rotor: Aluminium, uncoated
 Conformity: ErP 2015, CE
ErP-data
 Efficiency η_{statA}: 32.9 %
 Efficiency: N_{actual} = 40.3 / N_{target} = 40**
 * Rated data
 **ErP 2015

Characteristic curve



Measured in full bell mouth without guard grille in installation type A according to ISO 5801.

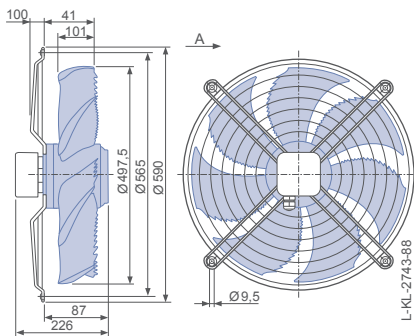
- Connection diagrams
 - for airflow direction V 1360-104XB
 - for airflow direction A 1360-104XA

- System components

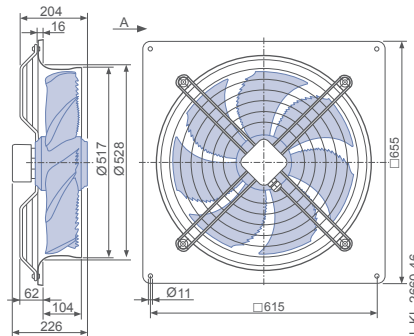
Dimensions [mm]

Airflow direction A

Design W - axial bolted, mounting for short bell mouth E

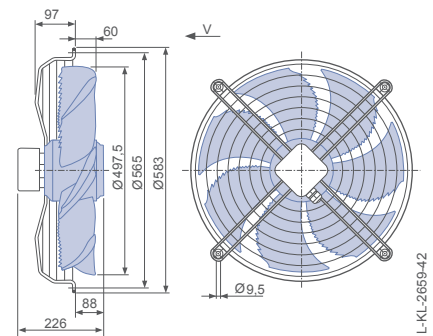


Design Q - square, full bell mouth



Airflow direction V

Design K - axial bolted, mounted for short bell mouth E



Performance data

Type designation	Characteristic curve	Voltage	Operating point	Current	Motor input power	Speed	Suction side sound power level L_{WAS} [dB]
		U [V]		I [A]	P_1 [W]	n [min ⁻¹]	
FN050-4E_4I_7	I	230	①	3.70	840	1150	
		230*	②	3.20*	720*	1240*	73
		230	③	2.60	600	1320	73
	II	170	④	3.50	580	880	
		170	⑤	3.20	520	1010	67
		170	⑥	2.70	460	1160	70
	III	135	⑦	3.10	390	660	
		135	⑧	2.90	380	780	61
		135	⑨	2.60	350	960	67
	IV	110	⑩	2.60	270	520	
		110	⑪	2.60	270	620	55
		110	⑫	2.40	260	760	61

*rated data

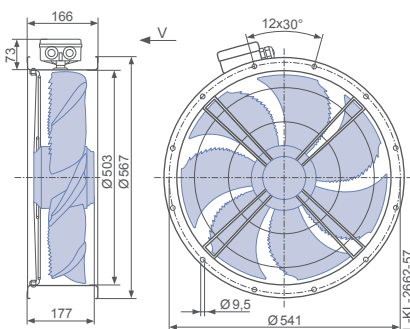
Fan ordering information

Design	Airflow direction A			Airflow direction V		
	W	Q	K	F (without contact protection)	F (with contact protection)	Q
Type	FN050-4EW.4I.A7P1	FN050-4EQ.4I.A7P1	FN050-4EK.4I.V7P1	FN050-4EF.4I.V7P1	FN050-4EF.4I.V7P1	FN050-4EQ.4I.V7P1
Article no.	167953	167952	167956	167957	167958	167955
Weight [kg]	13.80	20.10	13.30	16.80	17.50	18.30

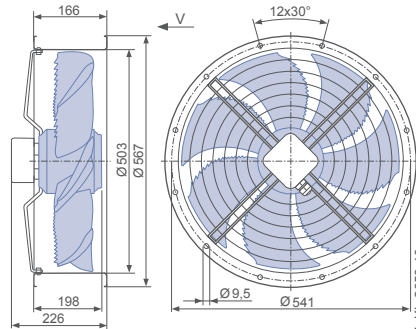
Control technology

Frequency inverter Fcontrol 1~	Motor protection units 1~	Transformer-based controllers 1~	Electronic voltage controllers 1~

Design F - flange ring with two flanges without guard grille



Design F - flange ring with two flanges and guard grille



Design Q - square, full bell mouth

